



ThermalDESIGNS[®]

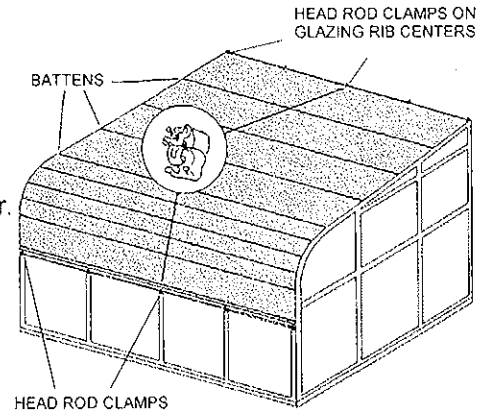
1880 South Flatiron Ct.
Boulder, CO 80301
866-442-3485
www.thermaldesignsinc.com
sales@thermaldesignsinc.com

INSTALLATION INSTRUCTIONS FOR EXTERIOR FIXED AND EXTERIOR ROLL DROP SHADES

Exterior Fixed

1. Attach Top of Shade

- Along the top ridge of the room, attach one head rod clamp to the center of each glazing rib the shade will cover. Ensure each clamp is in alignment with one another.
- Place rolled up shade at the top of the room where the clamps are mounted. Shade battens and seams face down, toward glass. Lay the top shade channel containing steel rod into clamps and center the shade. Tighten wing nuts on clamps to secure shade top.



2. Unroll Shade and Attach Bottom

- Gently lower shade and pull down firmly to locate lowest placement for bottom clamps. Again, battens are on bottom of shade. Attach one clamp to center of each glazing rib as on top. Fit bottom shade channel with rod into clamps and tighten wing nuts. Remember shade should be pulled taut for clamp installation.

3. If Installing Two or More Shades...

- Aluminum sleeves fit over the ends of the steel rods in adjoining shade tops and bottoms. Center the sleeves over the rod ends, then sleeve lays in the clamp mounted in the center of the glazing rib where shades meet. Tighten wing nut onto sleeve.

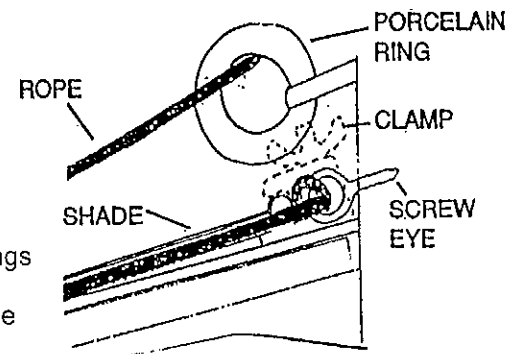
Exterior Roll Drop

The Roll Drop shade system utilizes head rod clamps to secure the top of the shade to the room, porcelain rings for guiding pull ropes and in some applications, screw eyes for tying pull ropes securely to the top of the room. Following are steps for mounting shade hardware to a head wall or fascia above the ridge or directly to the solarium frame.

1. Attach Hardware at Ridge

- Along the top ridge of the room, attach one head rod clamp to the center of each glazing rib the shade will cover. Ensure each clamp is in alignment with one another.
- IF A HEAD WALL OR VERTICAL FASCIA EXISTS (drawing 1), attach the screw eyes and porcelain rings for pull ropes to the vertical space. Attach screw eyes for securing top of rope 18" in from the shade edges and low, near the shade surface. Attach rings 4" above screw eyes.
- IF NO HEAD WALL OR VERTICAL FASCIA EXISTS (drawing 2), attach porcelain rings directly to the 2 outside clamps - remove the clamp wing nuts, slip the ring clips over the clamp post and replace the wing nuts. Screw eyes will not be used in this instance for the pull cords. Pull cords will be looped over the clamps before mounting shades.

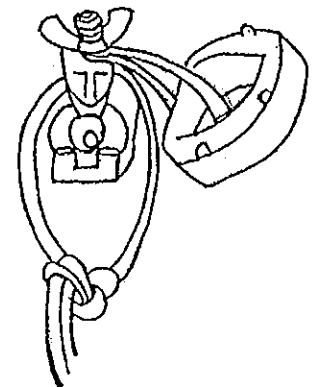
DRAWING 1 - WALL MOUNT



2. Load the Shade at Ridge

- Unfurl the pull ropes at the top of ridge and drop an end to the bottom of solarium. If using screw eyes in the head wall, tie ropes securely to screw eyes (drawing 1). Otherwise, tie a loop in the top of each rope and lay the loop over the 2 outside clamps (drawing 2).
- Position rolled up shade at ridge, laying it over the pull ropes. The steel rod is in the shade's top channel. Shade battens and seams face down toward glass. Lay the top shade channel with steel rod into the clamps over pull ropes. Center the shade on the room and secure the wing nuts tightly (This also secures the pull ropes under the shade).
- If installing 2 or more shades, aluminum sleeves fit over ends of steel rods in the adjoining top shade channels. Center the sleeve on adjoining steel rods and secure sleeve into

DRAWING 2 - SOLARIUM MOUNT



3. Run Pull Ropes Through Rings

- The pull ropes will run in a continuous loop under and over the shade. The ropes run down underneath the shade against the solarium glass, over the roll bar in the shade bottom, and back up over the top of the shade to the porcelain rings at the ridge.
- For front pull operation (drawing 3), run each pull ropes through their respective rings to one side of the shade. One pull rope will run through the opposing ring to the side of the shade. Pull ropes will then run down to the front of the room.
- For side pull operation (drawing 4), a third ring is provided for attaching to the top edge of head wall or solarium. Run both pull ropes through the third ring, down the side of the room.

4. Roll Bar Tension Cords and Hardware

The roll bar tension cords are on each end of the roll bar in the shade bottom and secure the bottom of shade against the glass when shade is lowered. They can also be used to lower the shade once it is raised.

- Attach screw eyes to the sill at the bottom of the room below shade edges (drawing 3 or 4). Run tension cords through the screw eyes toward the middle of the room.

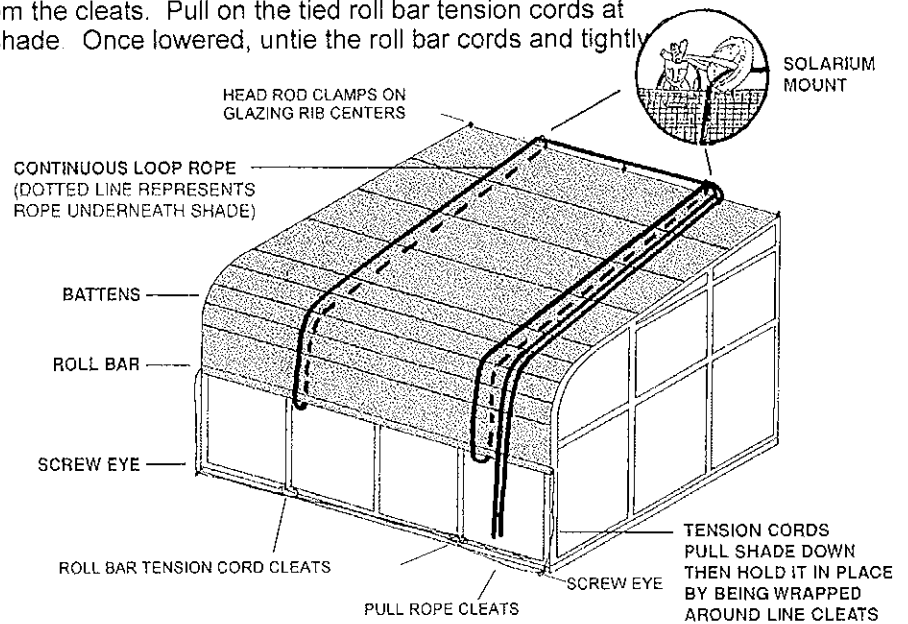
5. Mount the Line Cleats

- Attach 2 cleats to the sill at bottom, front of the room (drawing 3, 4), 16 - 20 inches in from the edges of the shade for tie down of roll bar tension cords. Attach 2 cleats vertically to the front of the room at desired location, 16 - 20 inches above one another, for tie down of pull ropes for front pull operation. Attach 2 cleats vertically to side of room at desired location, 16 - 20 inches above one another for tie down of pull ropes for side pull operation.

6. Shade Operation

- To raise the shade, release roll bar tension cords from line cleats at the bottom of the room. Use pull ropes to raise the shades. Once raised, tie off pull ropes to their line cleats in a figure eight pattern. Pull the roll bar cords tightly through the screw eyes at the bottom, front of the room and tie them together.
- To lower the shade, untie the pull ropes from the cleats. Pull on the tied roll bar tension cords at the bottom, front of the room to unroll the shade. Once lowered, untie the roll bar cords and tightly tie them to their line cleats.

DRAWING 3 - FRONT PULL



DRAWING 4 - SIDE PULL

